

# SPA-80M-1-50 Solid State Power Amplifier

(80MHz - 1GHz, 50W)

## Key Features

- Multi-octave broadband performance
- High output power
- Wide dynamic range
- High-efficiency GaN technology
- Low power consumption
- Low spurious signal
- Forward/reverse power monitoring
- Extremely load-resistant
- Over voltage, over temperature, over current protection
- Optional overdrive protection
- CE, RoHS certification



## Overview

Saluki SPA-80M-1-50 is a solid-state RF power amplifier with an output frequency of 80MHz to 1GHz and an output power of 50W. Its design is based on the most advanced LDMOS technology in the industry, and its power output is efficient and reliable. It is mainly used for testing and measuring instruments, Communication or interference, aviation control and other fields. The product has functions such as temperature and current detection, alarm protection and so on.

## Technical Specifications

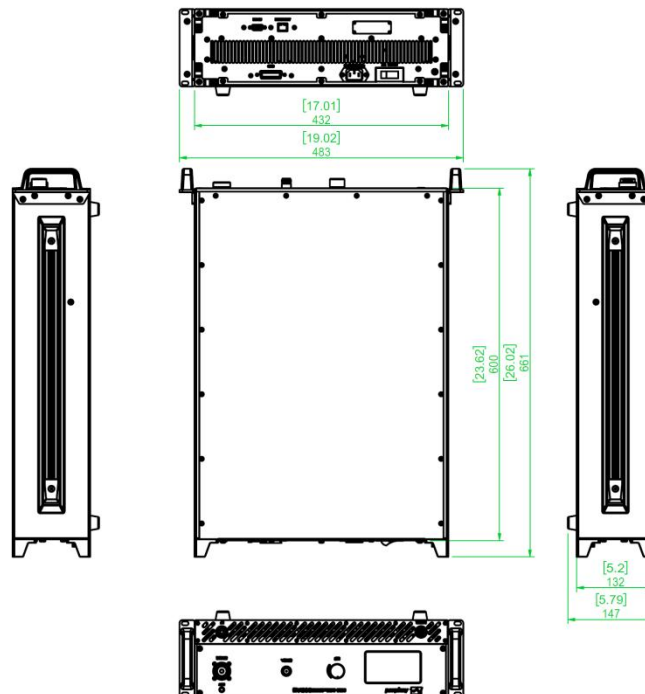
SPA-80M-1-50			
Frequency Range	80MHz - 1GHz	Input Power	0dBm (max.)
Output Power	50W (min.)	Harmonic	-20dBc (typ.)
Gain	47dB (min.)	Background Noise	-35dBm/MHz (max.)
Gain Flatness	± 3dB (max.)	Spurious	-60dBc (max.)
Adjustable Gain	20dB (max.)	Input VSWR	2.0:1 (typ.)
Impedance	50 ohm	Cooling Type	Air cooling

# SPA-80M-1-50 Solid State Power Amplifier

(80MHz - 1GHz, 50W)

<b>Input Port</b>	N-F, front panel	<b>Output Port</b>	N-F, front panel
<b>Communication Interface</b>	RS485, LAN	<b>Power Supply</b>	AC 220V±10%, 50/60Hz
<b>Dimension</b>	19", 3U	<b>Operating Temperature</b>	0 - 50°C

## Outline Structure



## Options

001	Positive/reverse power monitoring
002	Input power detection
003	GPIB interface

*Note: Information will conduct the necessary updates, the contents of this document are subject to change without notice.*