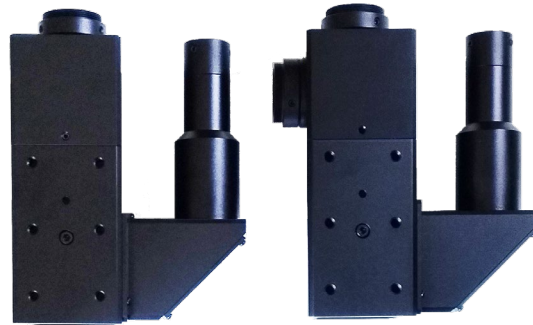


Video Microscope Unit

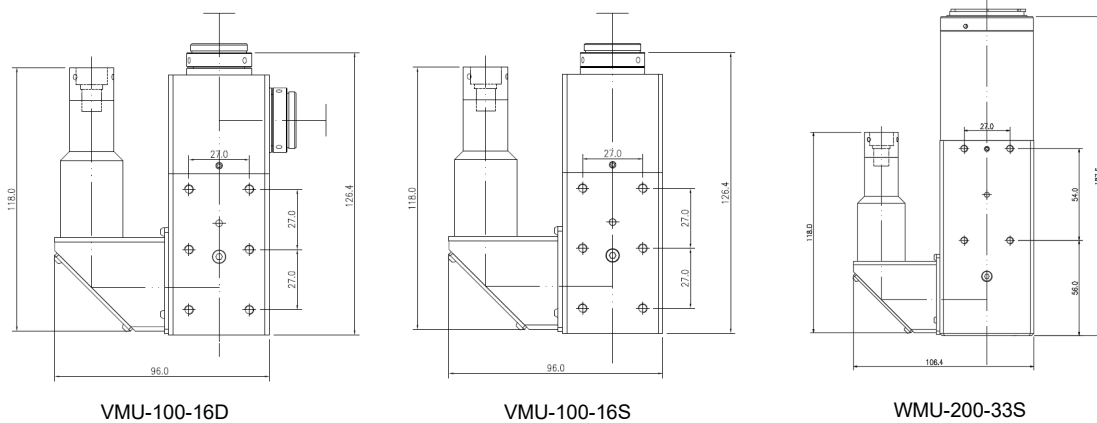
VMU / WMU

■ Features

- Focal length 100mm/200mm
- Diffraction limit performance
- Telecentric illumination
- Compact, light-weight, rigidity
- Dual camera applicaiton
- Customized available



■ Dimensions (mm)



■ Specifications

Model	VMU-100-16D	VMU-100-16S	WMU-200-33S
Focal Length	100mm	100mm	200mm
Magnification	0.5X	0.5X	1.0X
Image Format	Ø16mm	Ø16mm	Ø33mm
Mount	Dual C-Mount	C-Mount	F-Mount / M58
Wavelength	430nm~670nm	430nm~670nm	430nm~670nm
Weight	809g	779g	TBC

Custom requirements and OEM solutions are available, such as dual-camera, laser, focal length, double magnification(high & low), wavelength UV, VIS, IR, etc.